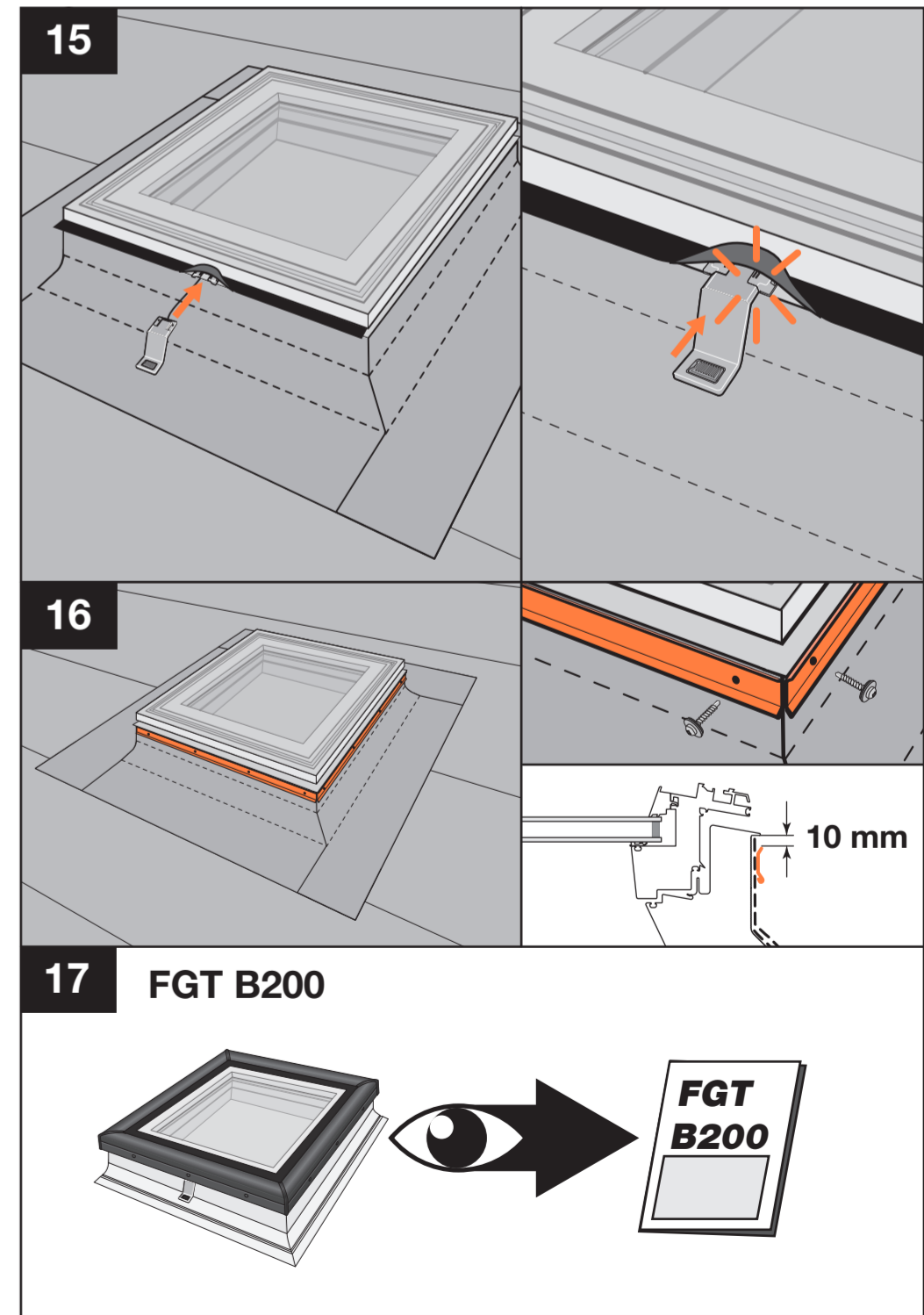
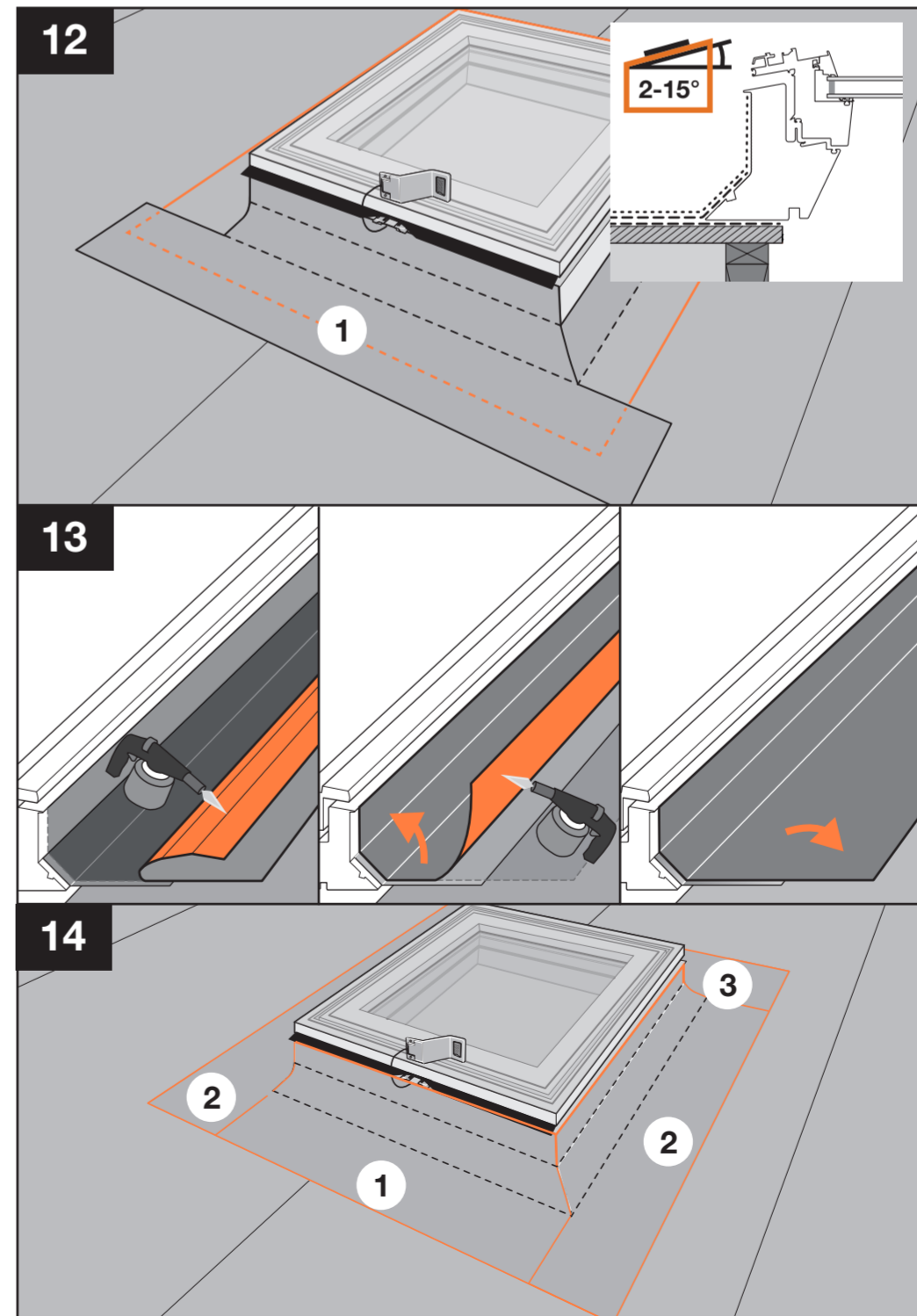
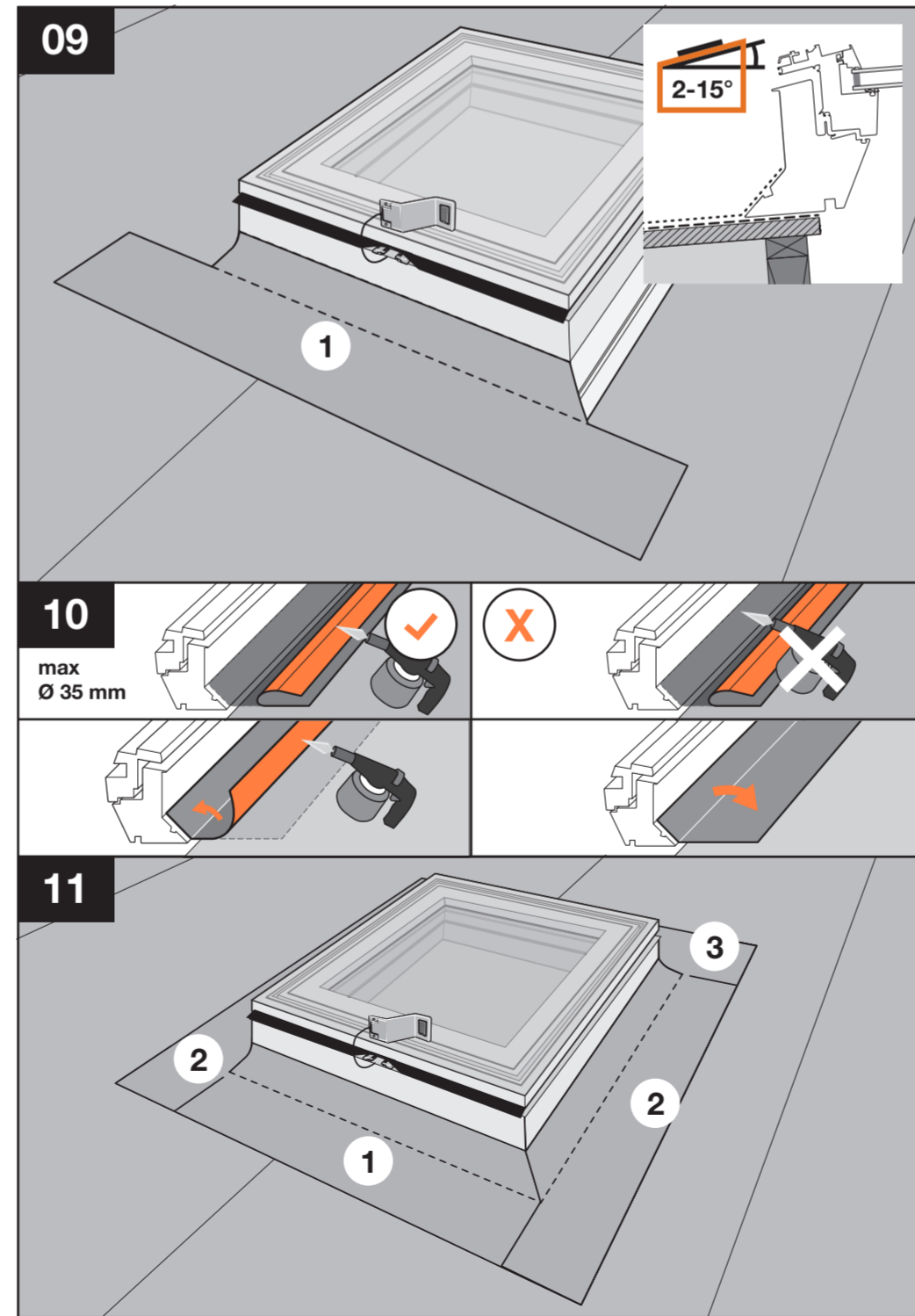
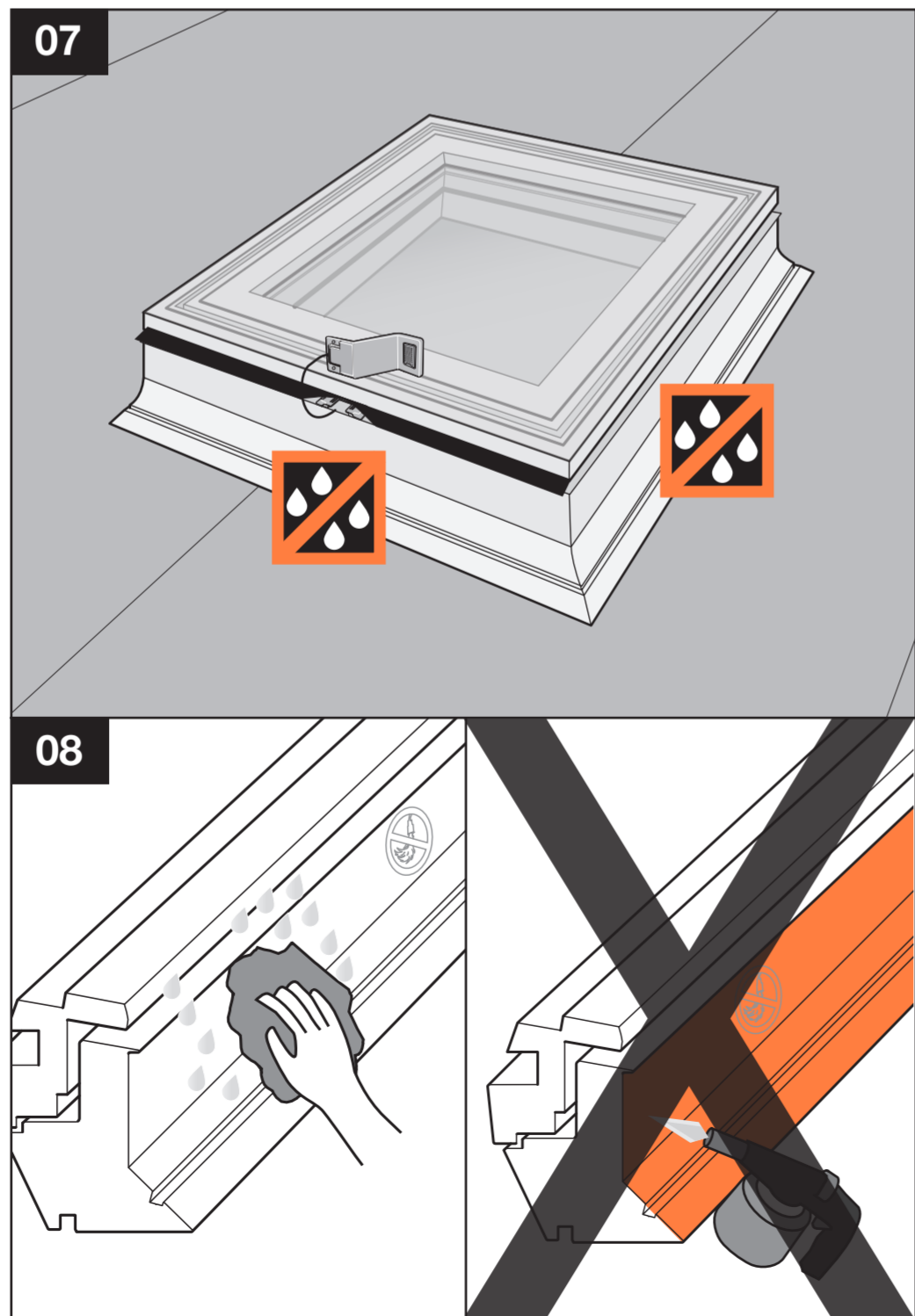
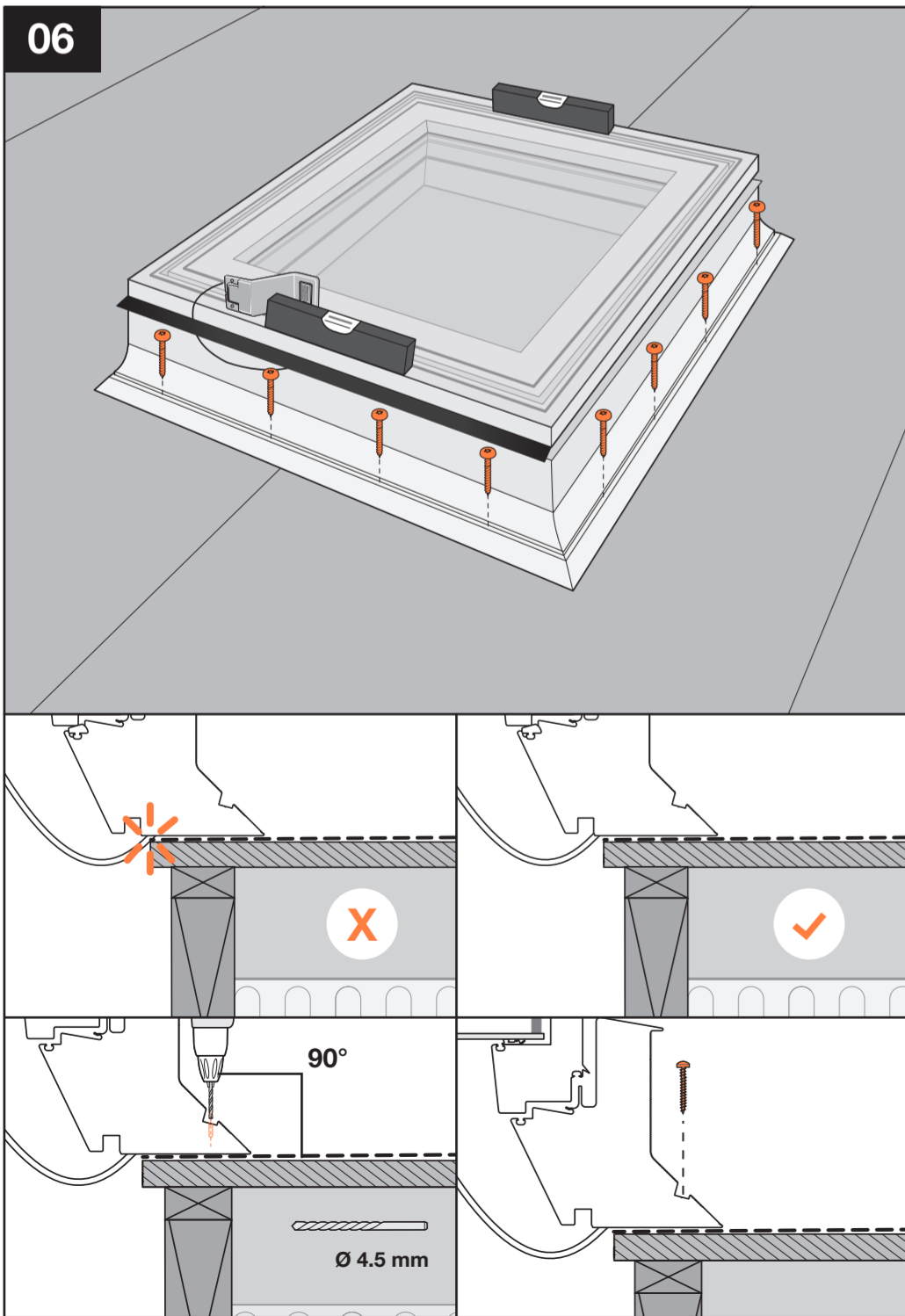
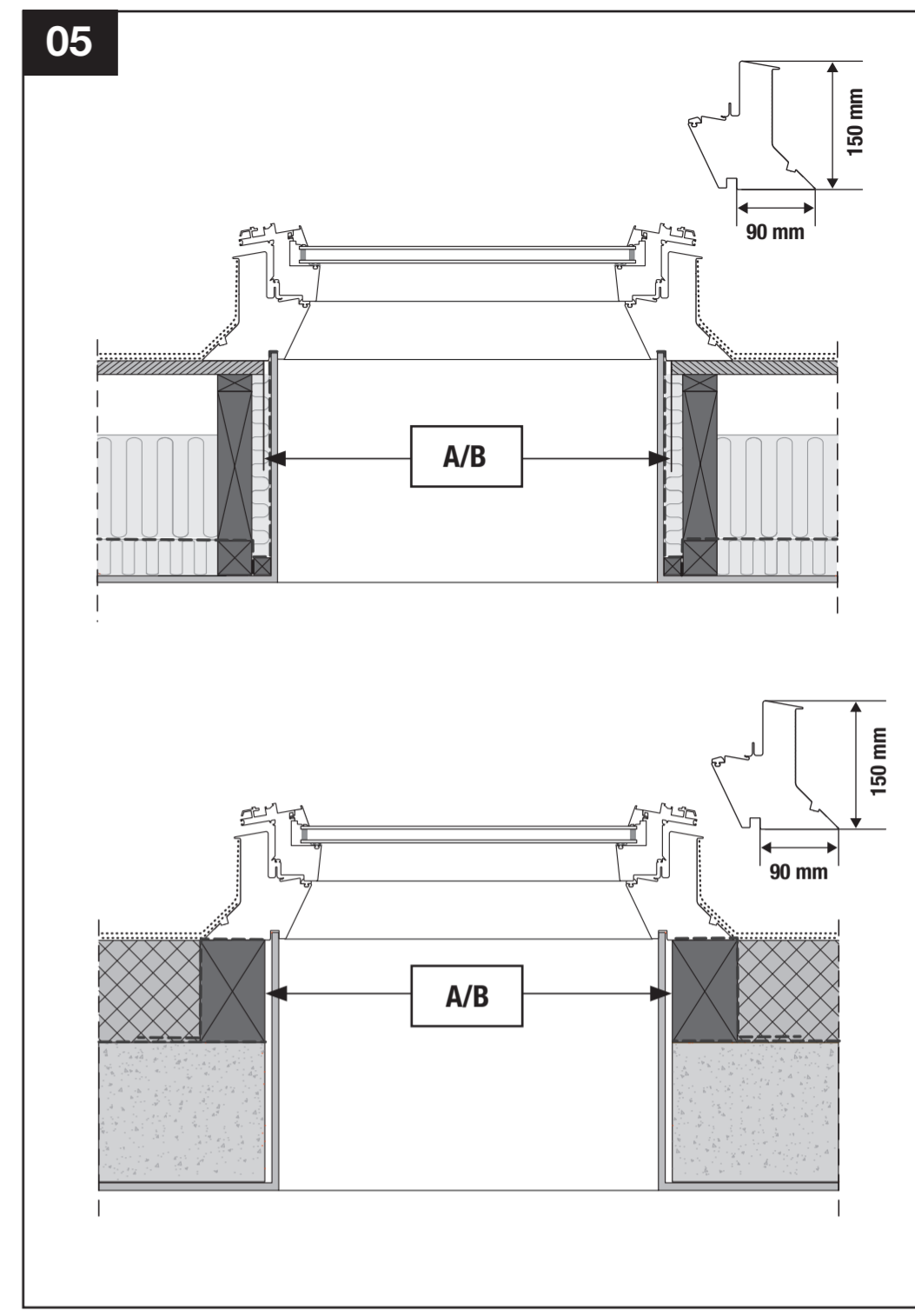
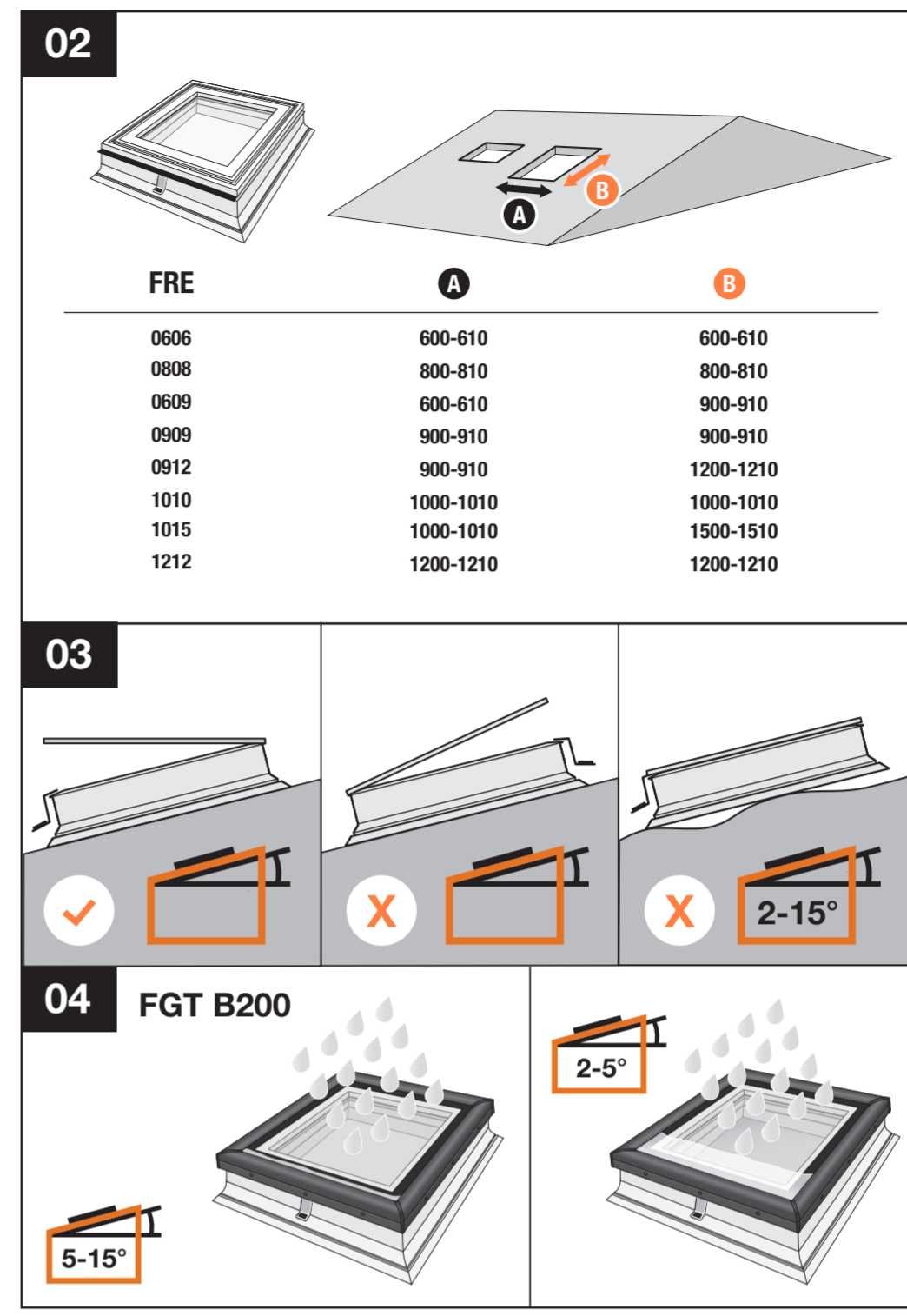
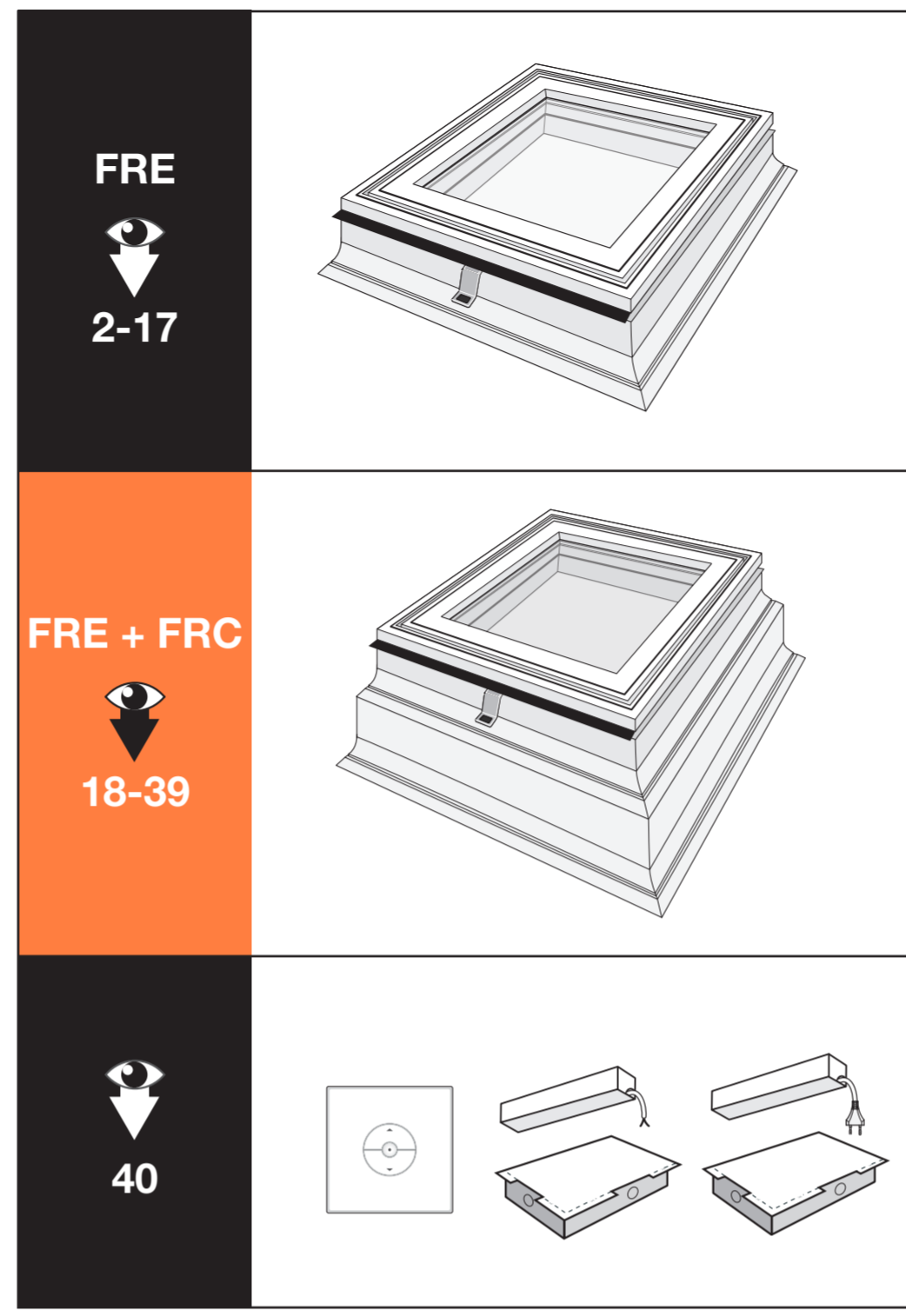
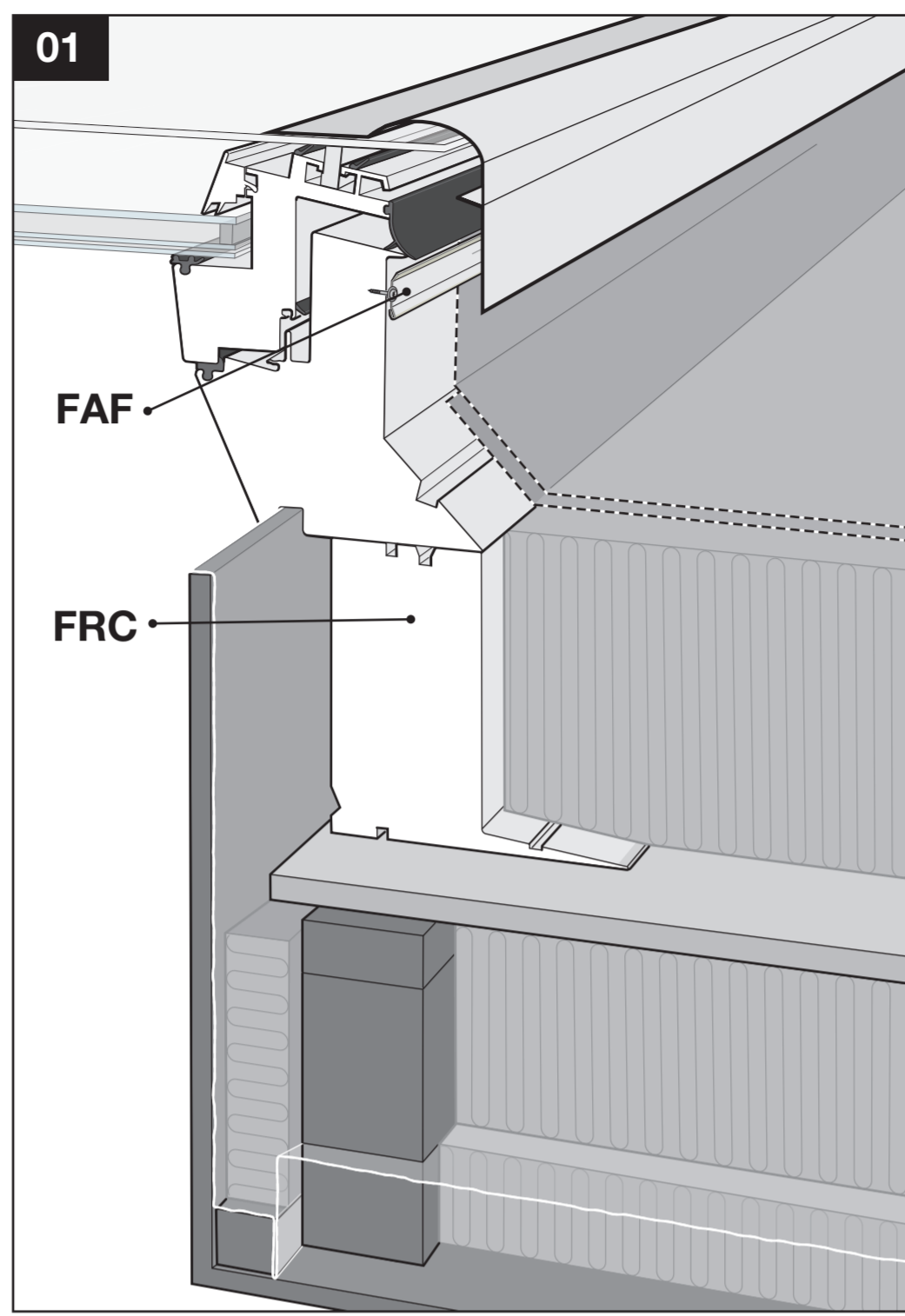


FRE + FGT FRE + FRC + FGT



NB-FRE-2018-10 (04/27)



18

FRE	A	B
0606	600-610	600-610
0808	800-810	800-810
0609	600-610	900-910
0909	900-910	900-910
0912	900-910	1200-1210
1010	1000-1010	1000-1010
1015	1000-1010	1500-1510
1212	1200-1210	1200-1210

19

✓ X X 2-15°

20 FGT B200

2-5° 5-15°

21a FRC..F

205mm 310mm

FRC..F A/B

FRC..F

205mm 310mm

FRC..F A/B

21b FRC, FRC..F

205mm 470mm

FRC FRC..F A/B

22 FRC..F

205mm 470mm

FRC FRC..F A/B

23

max 300 mm min 100 mm 90°

FRC..F Ø 4.5 mm

24 FRC

25

100-150 mm max 300 mm Ø 4.5 mm

FRC

26

max 300 mm min 100 mm 75°

Ø 4.5 mm

27 **28**

29

30

31

2-15°

32

max Ø 35 mm

33

1 2 3

34

1

35

2

36

1 2 3

37

38

10 mm

FAF

39 FGT B200

FGT B200

40

230V / 50Hz AC